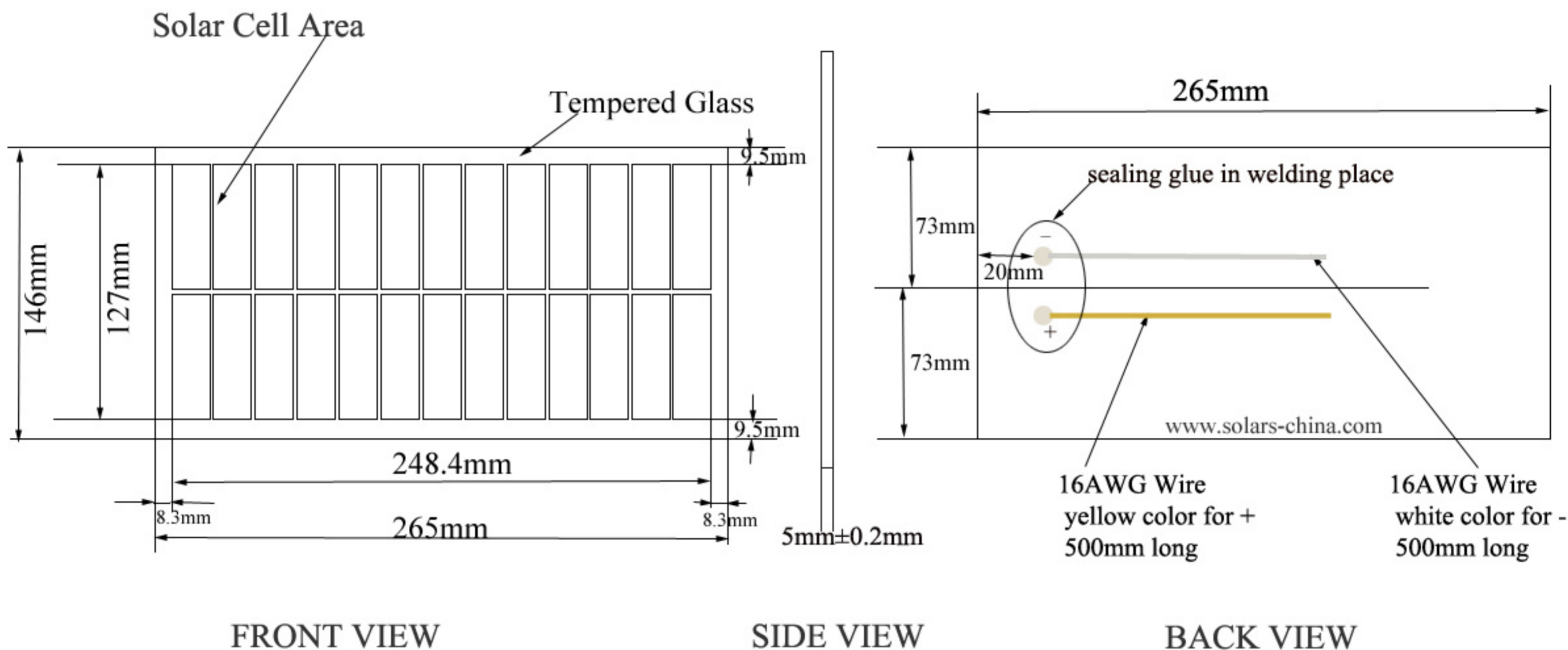


5W 13V MONOCRYSTALLINE SOLAR PANEL



ITEM NO: KS-M265146G

ELECTRICAL CHARACTERISTICS

Power	5W		
Operating Voltage	13V	Open Circuit Voltage	15.6V
Operating Current	385mA	Short Circuit Current	423mA
Type of solar cell	Monocrystalline Silicon		
Power Tolerance	±5%		
STC: Irradiance 1000W/m ² , Module temperature: 25°C, AM=1.5			

TEMPERATURE COEFFICIENTS

Nominal Operating Cell Temperature (NOCT): 45°C±2°C	
Temp.Coefficient of Isc	(0.045±0.01)%/°C
Temp.Coefficient of Voc	-(0.34±0.01)%/°C
Temp.Coefficient of Power	-(0.47±0.05)%/°C

TESTED OPERATING CONDITIONS

Max load	50psf 245kg/m ² (2400)pascals
Hailstone impact	25mm(1inch) at 23m/s(52mph)
Operating Temperature	-40° C to + 85° C

MECHANICAL SPECIFICATIONS

Dmensions	265×146×5mm
Encapsulation	Glass/EVA/Cells/EVA/TPT
Front Glass	Tempered Glass, thickness: 3.2mm
Frame	Without frame
Output lead wire	With 16AWG solder wire
Efficiency	≥18%

FIGURE OF STRUCTURE



WARRANTIES

Power output more than 90% for 10years
 Working life 15years

THE TECHNICAL FILES PROVIDED BY CHINA SOLAR LTD

Office Address:

N0.401,ZhongKang Pioneer Park,ZhongKang Road,
 Futian District, ShenZhen City,Guangdong Province,China

Factory Address:

Longxi Hi-tech Industrial Park, Longcheng Road, Longgang
 Town, ShenZhen City,Guangdong Province,China