



CHINA SOLAR

CHINA SOLAR

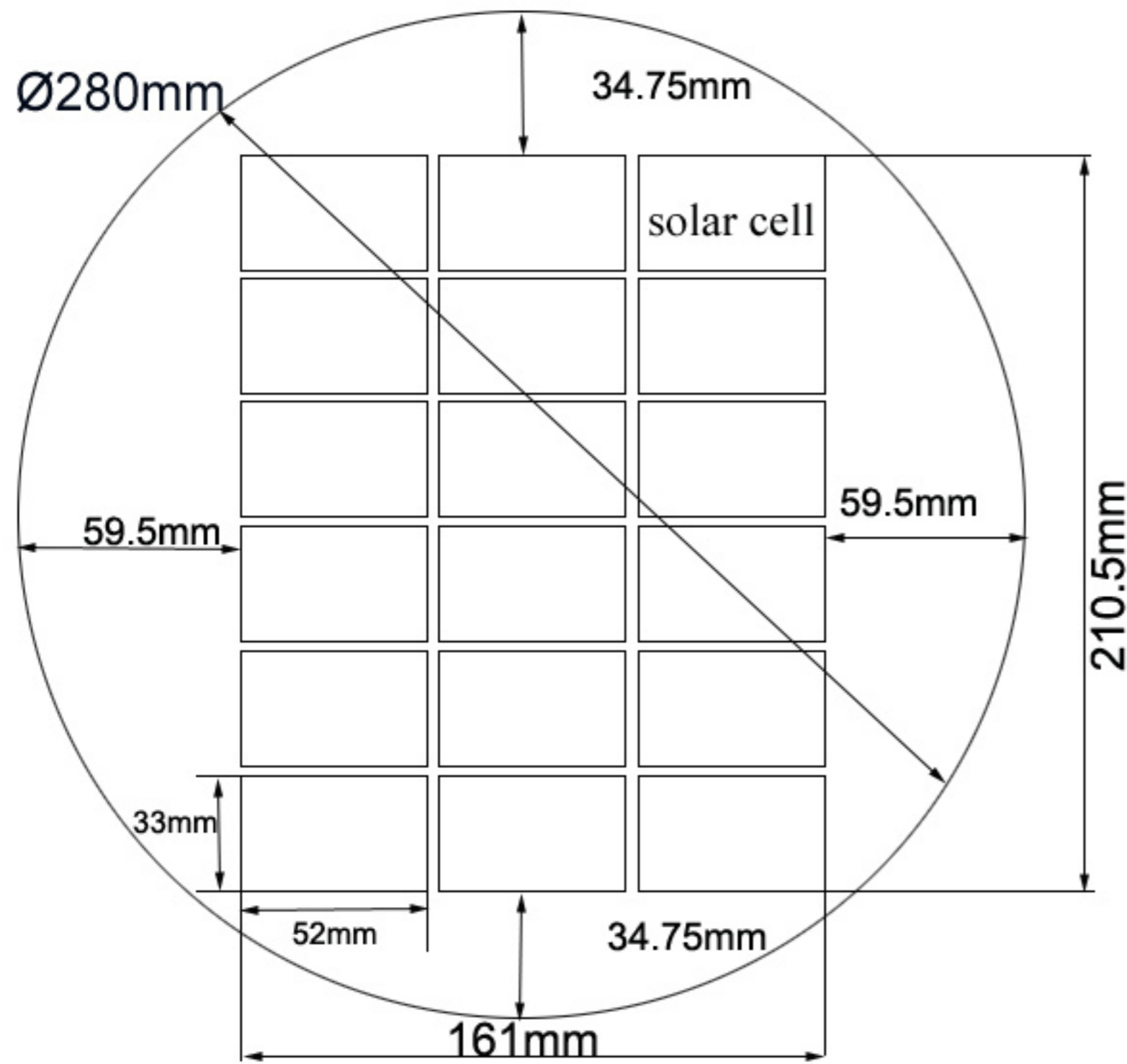
CHINA SOLAR LTD

CHINA SOLAR

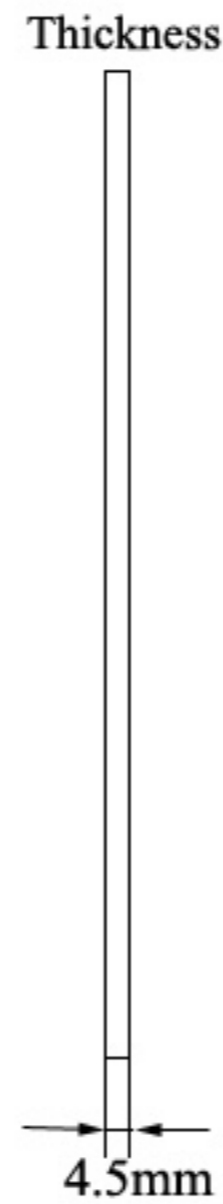
CHINA SOLAR

CHINA SOLAR

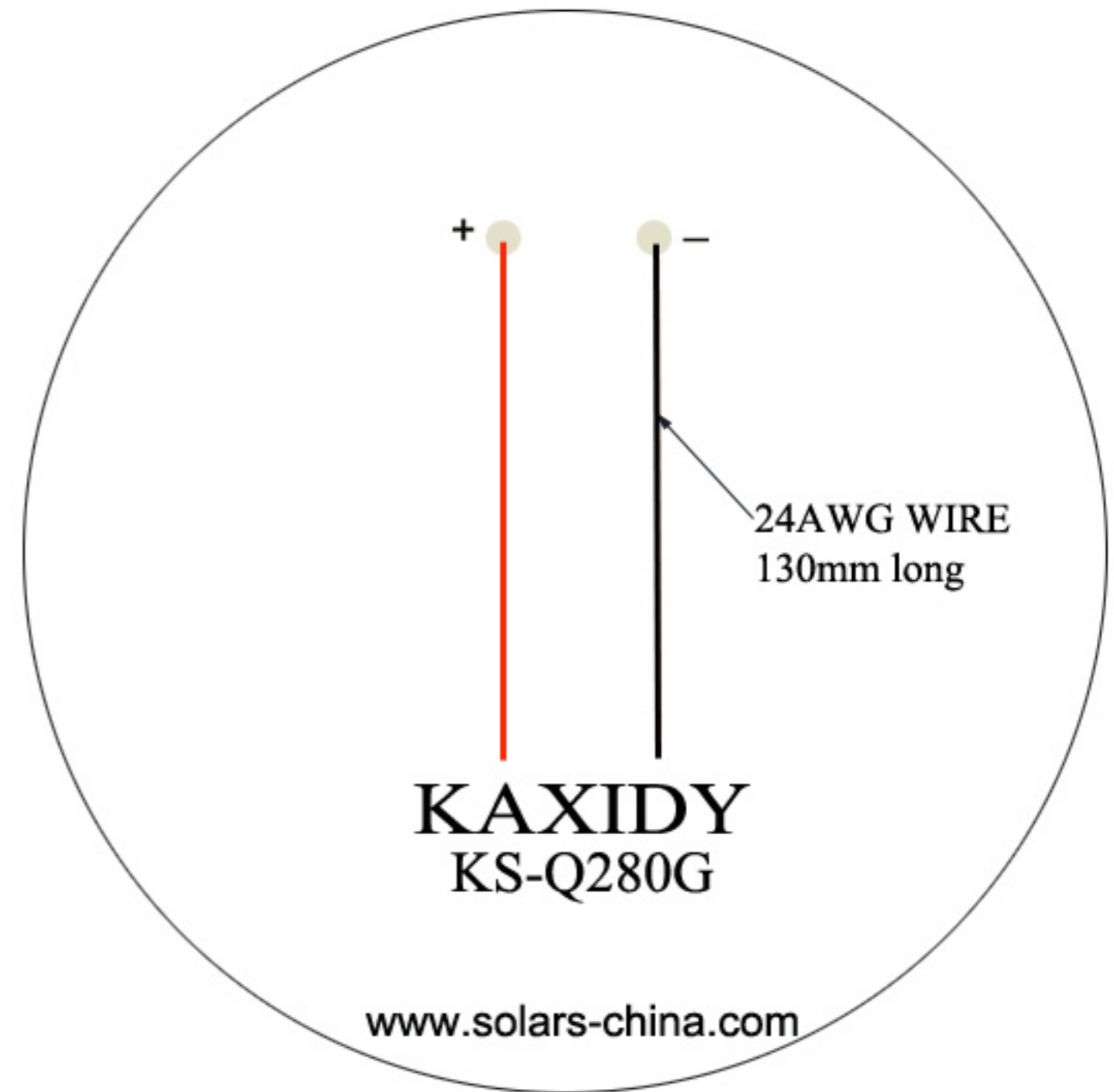
5W 9V SMALL CIRCULAR SOLAR CELL PANEL



FRONT VIEW



SIDE VIEW



BACK VIEW

ELECTRICAL CHARACTERISTICS

Power	5W		
Operating Voltage	9V	Open Circuit Voltage	10.8V
Operating Current	556mA	Short Circuit Current	610mA
Type of solar cell	Monocrystalline Silicon Solar Cell		
Power Tolerance	±5%		
STC: Irradiance 1000W/m ² , Module temperature: 25°C, AM=1.5			

TEMPERATURE COEFFICIENTS

Nominal Operating Cell Temperature (NOCT): 45°C±2°C	
Temp.Coefficient of I _{sc}	(0.045±0.01)%/°C
Temp.Coefficient of V _{oc}	-(0.34±0.01)/°C
Temp.Coefficient of Power	-(0.47±0.05)%/°C

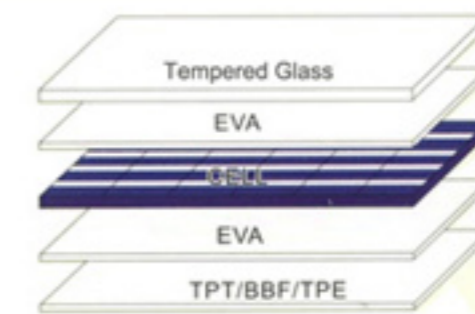
TESTED OPERATING CONDITIONS

Max load	50psf 245kg/m ² (2400)pascals
Hailstone impact	25mm(1inch) at 23m/s(52mph)
Operating Temperature	-40° C to + 85° C
Using Condition: Outdoor under the sunlight without covering	

MECHANICAL SPECIFICATIONS

Dmensions	Ø280mm, thickness: 4.5mm
Encapsulation	Glass/EVA/Cells/EVA/TPT
Front Glass	Tempered Glass, thickness: 3.2mm
Frame	Without Frame
Output lead wire	24AWG Wire, 130mm long, red for "+", black for "-"
Efficiency: ≥18%	Dimensions Tolerance: ±0.2mm

FIGURE OF STRUCTURE



WARRANTIES

Power output more than 90% for 10 years
Working life 15 years

WARNING

- Cannot touch with anything strong cauterant.
- Avoid scraping by something hard when using.
- Cannot bend on delivery and installation.

THE TECHNICAL FILES PROVIDED BY CHINA SOLAR LTD

Office Address:

N0.401,ZhongKang Pioneer Park,ZhongKang Road,
Futian District, ShenZhen City,Guangdong Province,China

Factory Address:

Longxi Hi-tech Industrial Park, Longcheng Road, Longgang
Town, ShenZhen City,Guangdong Province,China



CHINA SOLAR LTD

<http://www.solars-china.com>
<http://www.solars-china.net>

Tel: +86.755.8351 5659

Fax: +86.755.8271 6024

E-mail: market@solars-china.com